

TELELINK™ Phone Coupler Instructions

Telephone Amplified Coupler, Model TEL 001

SAFETY INFORMATION

HEARING SAFETY



CAUTION!

This product is designed to amplify sounds to a high volume level which could potentially cause hearing damage if used improperly. **To protect your hearing and the hearing of others:**

1. Make sure the volume is turned down before putting on the earphone or headphone before adjusting the volume to a comfortable level.
2. Set the volume level at the minimum setting that you need to hear.
3. If you experience feedback (a squealing or howling sound), reduce the volume setting and move the microphone away from the earphone or headphone.
4. Do not allow children **or other unauthorized persons** to have access to this product.

PACEMAKER SAFETY:



CAUTION!

1. **Before** using this product with a pacemaker or other medical device, consult your physician or the manufacturer of your pacemaker or other medical device.
2. If you have a pacemaker or other medical device, make sure that you are using this product in accordance with safety guidelines established by your physician or the pacemaker manufacturer.

RECYCLING INSTRUCTIONS



Help Williams Sound protect the environment! Please take the time to dispose of your equipment properly.

Product Recycling for Customers in the European Union:

Please do NOT dispose of your Williams Sound equipment in the household trash. Please take the equipment to a electronics recycling center; OR return the product to the factory for proper disposal.



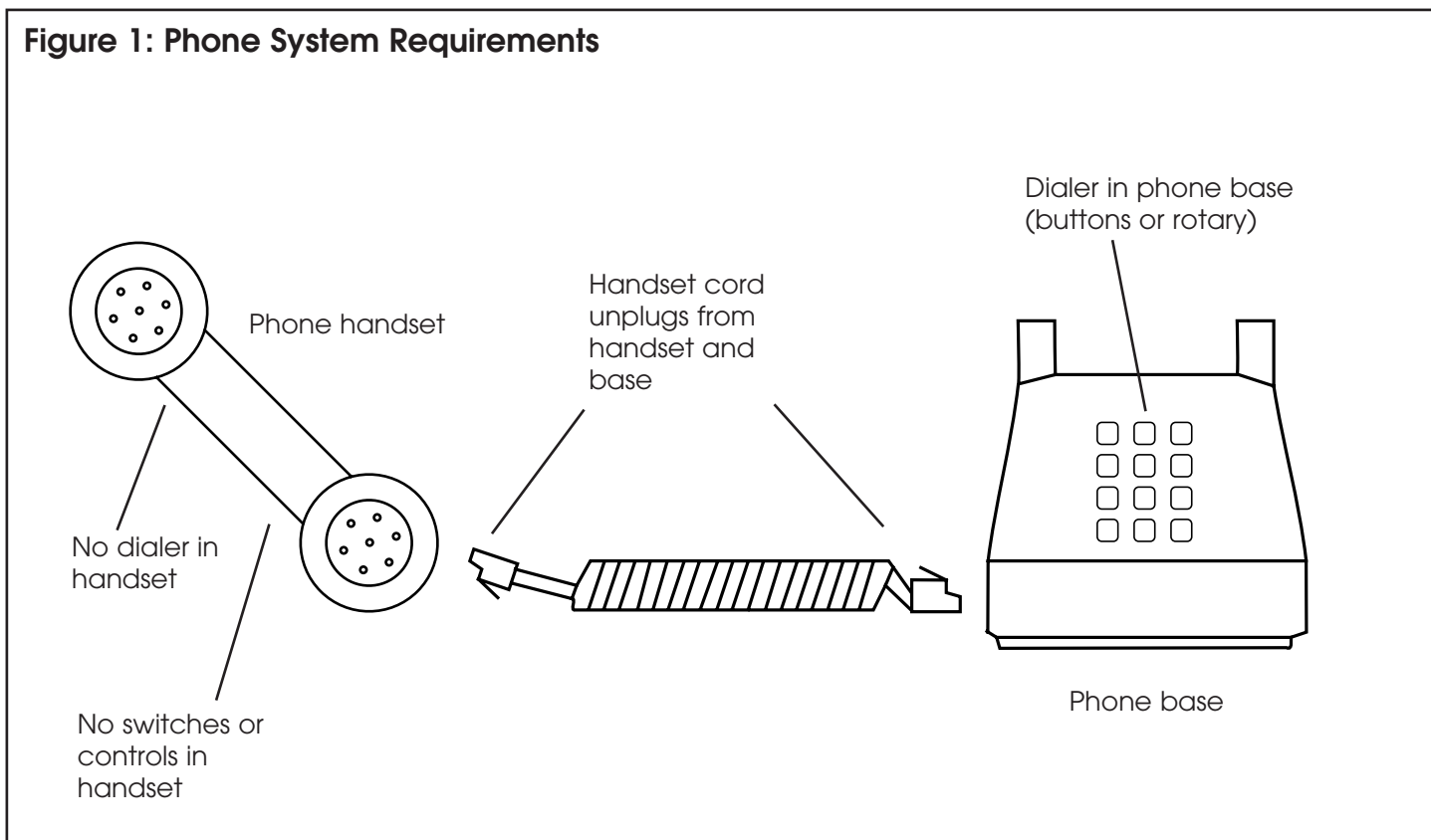
8/16/06

PHONE SYSTEM REQUIREMENTS

The TELELINK is compatible with many, but not all, phones. You can use the TELELINK if your phone meets the following criteria:

1. Your phone is a desk-style, wall-style, or trimline phone that does not have the dialer mechanism in the handset.
2. Your phone is not a cordless phone or a one-piece phone.

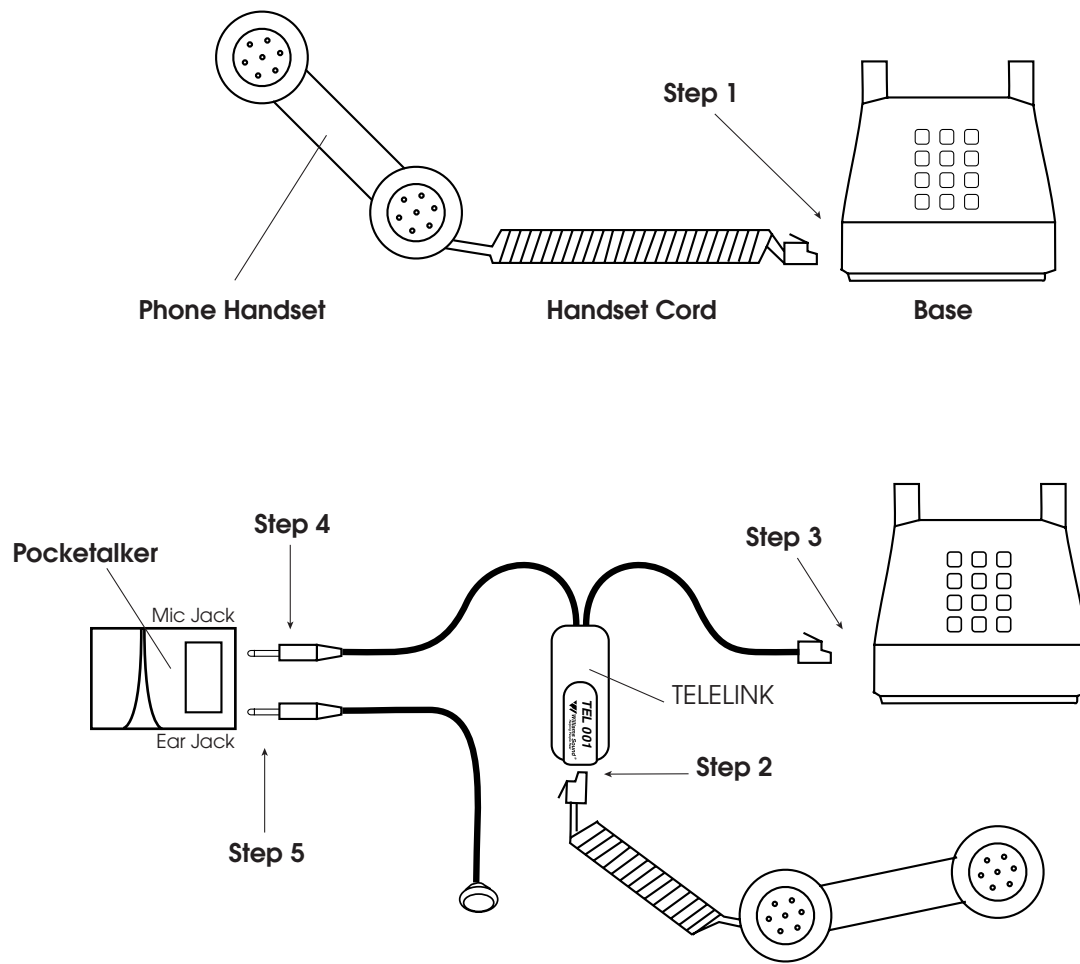
Figure 1: Phone System Requirements



USING THE TELELINK™ WITH YOUR PHONE

- Step 1: Unplug the handset cord from the base of your phone.
- Step 2: Plug the handset cord into the TELELINK.
- Step 3: Plug the TELELINK's phone cord into the base of the phone.
- Step 4: Plug the TELELINK's 3.5 mm plug into the "MIC" jack of the POCKETALKER.
- Step 5: Plug the earphone into the "EAR" jack of the POCKETALKER.
- Step 6: Hold the telephone handset up to your ear and insert the earphone into either ear. Turn the POCKETALKER on and adjust the volume to a comfortable level.
- Note: The TELELINK can be left permanently connected to the phone and will not interfere with normal operation. The Velcro® strips supplied with the TELELINK can be used to fasten the plastic shell to the base of your phone

Figure 2: Setup Diagrams





WILLIAMS SOUND®
Helping People Hear

10321 West 70th St., Eden Prairie, MN 55344 U.S.A.
800.843.3544 | 952.943.2252 | FAX: 952.943.2174
www.williamssound.com

© 2006, Williams Sound Corp.

MAN 020H